



## AVK SURFACE BOX H-4055P HD-GG

80/30  
200

Fixed height  
Special model for pavement  
Surface box for underground hydrants  
Standard lid inscription: HYDRANT

### Type

- H-4055P HD-GG
- Oval cast iron lid
- Rectangular top surface box

### Features

- Lightweight, user-friendly, silent and maintenance free
- 100% recyclable and significantly less use of resources compared to traditional materials
- Manufactured out of high grade recycled materials
- Ribs in housing ensure optimal fixation in road foundation
- Selected materials for housing and lid ensure easy opening at all times
- Heat resistant to max. 250 °C
- Suitable for low-temperature applications
- Due to rectangular top ideal solution for pavement installation
- C250 load bearing capacity

### Optional

- Spring around bolt ensuring lid will stay in its place
- Various colours and lid inscriptions possible
- Available as lockable version making the surface box tamperproof
- Use of a Flexdrain around the hydrant prevents dirt to block the drain pipe, ensuring optimal operation

### Standards

- Design according to DIN 4055
- DVGW VP 310-2
- DVGW approval, certificate DW-4530BN0469

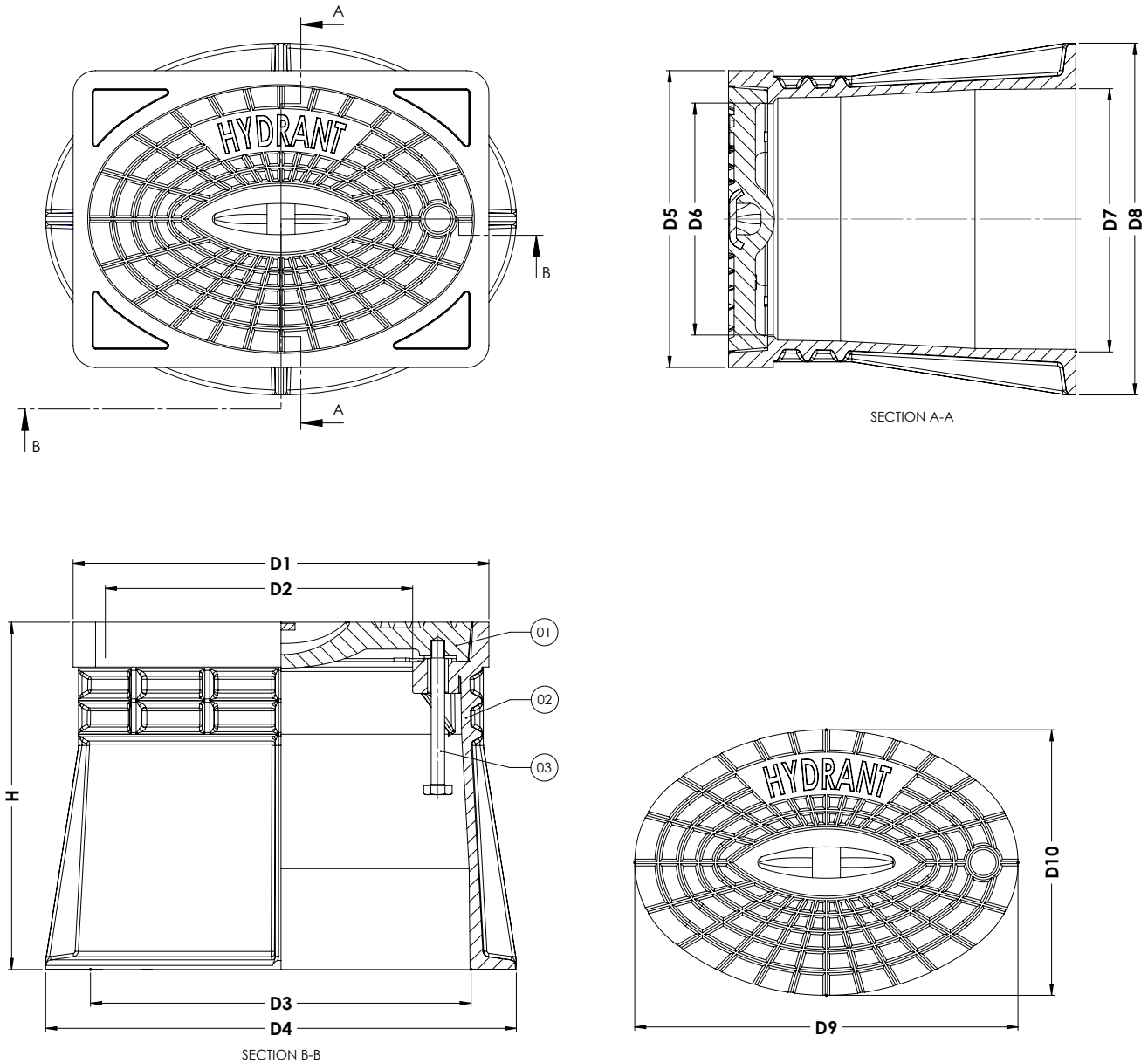
### Accessories

- Support tile II
- Top frame hydrant 4055P



28.4 kg  
CO<sub>2</sub> eq.

Expect... **AVR**



**Component list**

1. Lid	EN-GJL-200
2. Housing	PA+
3. Bolt M12x130 hexagon head	A2-70

**Reference nos. and nominal dimensions**

AVK ref. nos.	D1 mm	D2 mm	D3 mm	D4 mm	D5 mm	D6 mm	D7 mm	D8 mm	D9 mm
80-30-2000000	371	274	340	420	265	207	236	316	342
	D10 mm	H mm	Weight box in kg	Weight lid in kg	Total weight in kg				
	237	310	4.9	11.0	15.9				

For other variants different item numbers apply  
Dimensions are subject to tolerances