



AVK SURFACE BOX H-4059V HD-GG

80/33
100

Height adjustable
Surface box for service connection valves
Standard lid inscription: GAS

Type

- H-4059V HD-GG
- Square cast iron lid
- Square top surface box

Features

- Lightweight, user-friendly, silent and maintenance free
- 100% recyclable and significantly less use of resources compared to traditional materials
- Manufactured out of high grade recycled materials
- Ribs in housing ensure optimal fixation in road foundation
- Selected materials for housing and lid ensure easy opening at all times
- Heat resistant to max. 250 °C
- Suitable for low-temperature applications
- Large height range and flexible positioning of top part
- Inscription in lid to be positioned easily
- No height adjustment needed after installation, saving time and costs
- Floating top part following road settlement ensuring perfect alignment at all times
- O-ring only to be used for determining final position of top part
- D400 load bearing capacity

Optional

- Various colours and lid inscriptions possible
- Spring around bolt ensuring lid will stay in its place

Standards

- Design according to DIN 4059
- DVGW VP 310-2

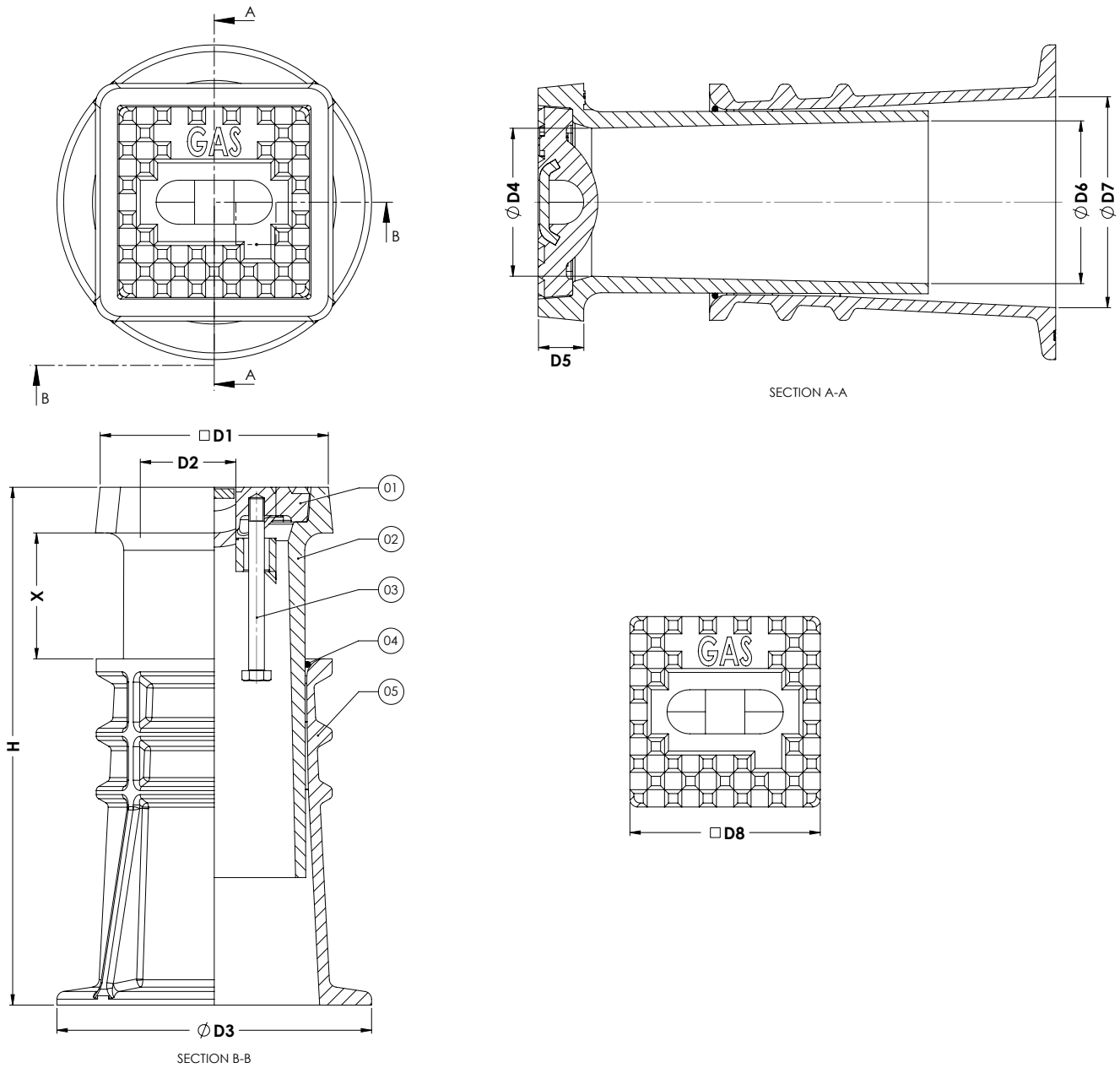
Accessories

- Support tile I



7.3 kg
CO₂ eq.

Expect... **AVR**



Component list

1. Lid	EN-GJL-200
2. Housing top part	PA+
3. Bolt M10x110 hexagon head	A2-70
4. O-ring	EPDM
5. Housing bottom part	PA+

Reference nos. and nominal dimensions

AVK ref. nos.	D1 mm	D2 mm	D3 mm	D4 mm	D5 mm	D6 mm	D7 mm	D8 mm	H mm	X mm
80-33-1000000	145	68	200	94	29	103	134	120	330-430	80-180
	Weight box in kg	Weight lid in kg	Total weight in kg							
	2.1	1.9	4.0							

For other variants different item numbers apply
Dimensions are subject to tolerances