



AVK WATER METER BOX KSA

8055



AVK water meter box for service connection
For 1/2", 3/4", 1" and 1 1/4" water meters
RAL9010 (colour of box and cover)



Types

- Water meter box with billet holder
- Water meter box without billet holder

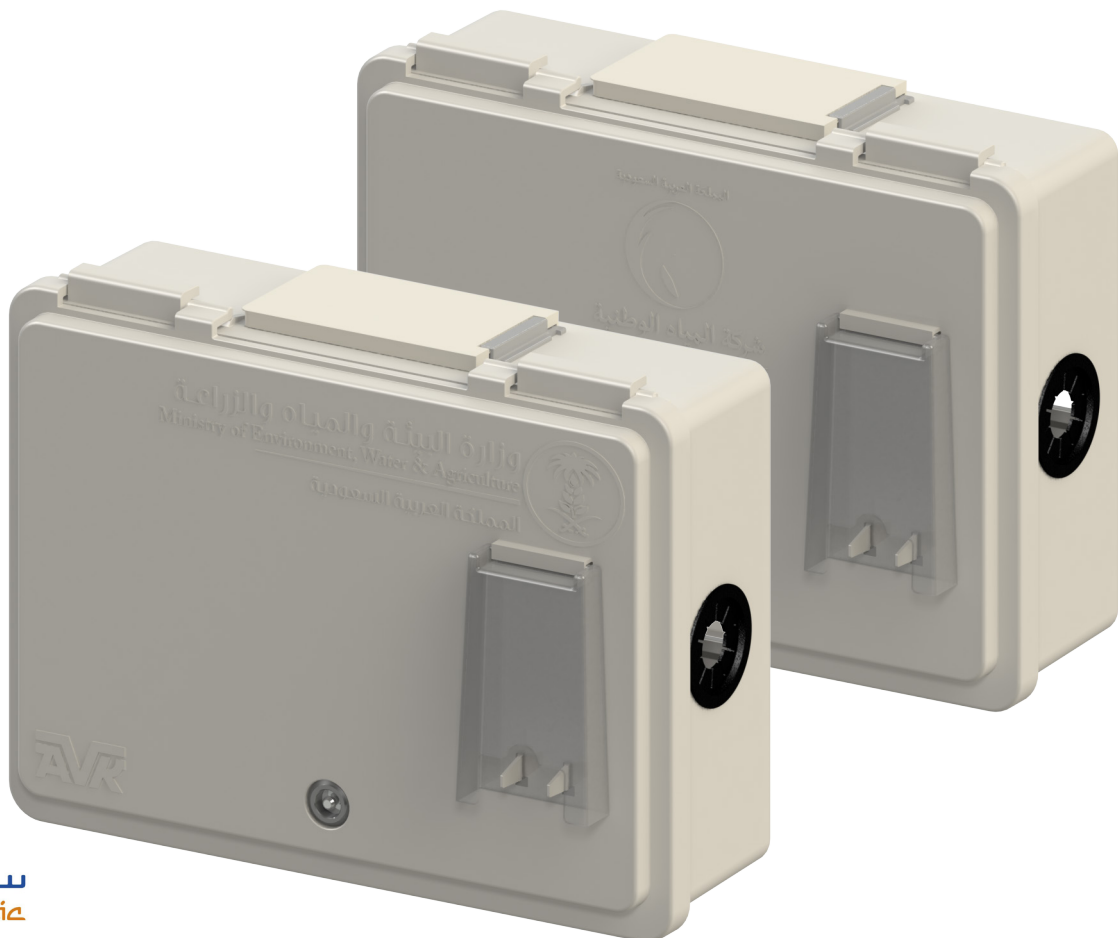


Features

- Suitable for harsh environment; dust and weather proof (high surrounding temperatures)
- UV-resistant
- High impact resistance
- Lockable design with universal key
- Customer logo optional
- Various mounting orientations
- Easy maintenance due to reusable cable ties
- Universal plug to accommodate multiple pipe sizes
- Reading glass cover ensures clean and transparent glass at all times
- High quality housing without flashes, burrs or sharp edges
- Flexible positioning of brackets for various water meter sizes

Approvals

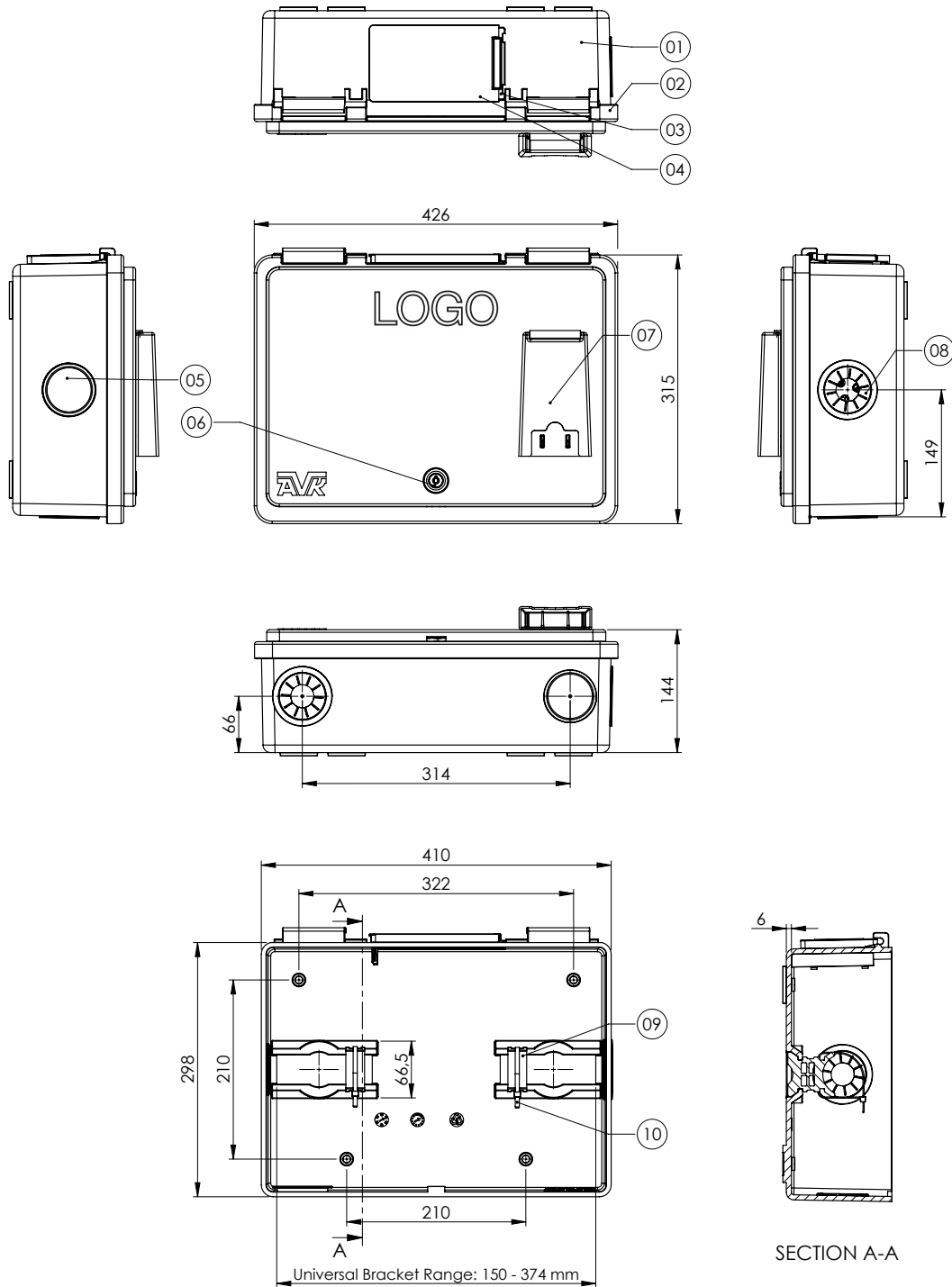
Manufacturer certified according to ISO9001 and ISO14001



سابك
sabik



Expect... **AVR**



Front view without cover

Component list

1. Housing	PP
2. Cover	PP
3. Reading glass	PC
4. Reading glass cover	PP
5. Plug	PP
6. Lock	PA/Metal
7. Billet holder*	PC
8. Rubber plug	TPE
9. Universal bracket	PP
10. Reusable cable tie	PA (2% Carbon black)

*Optional